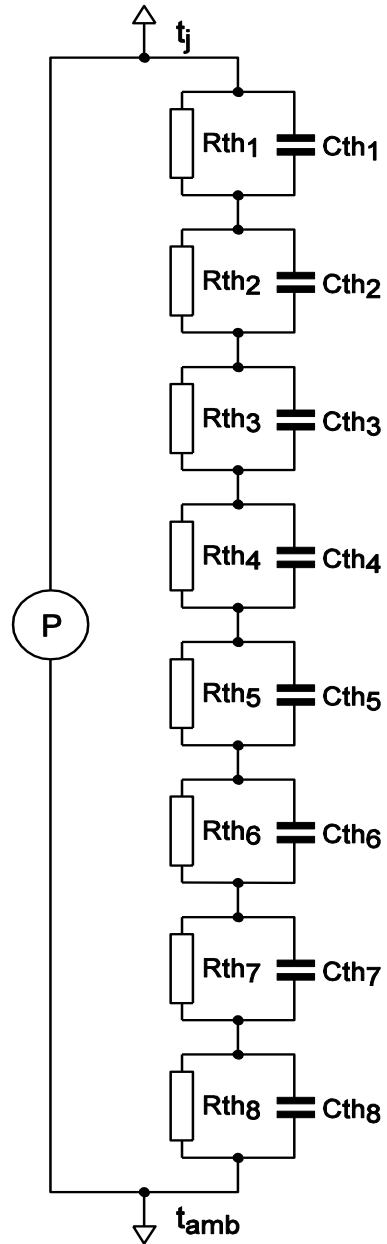


## SPICE thermal model

BUK6211-75C

Symbol	Parameter	Conditions	Min	Typ	Max	Unit
$R_{th(j-mb)}$	thermal resistance from junction to mounting base		-	-	0.95	K/W

$C_{th1}$	4.700E-02 F
$C_{th2}$	7.316E-03 F
$C_{th3}$	1.695E-03 F
$C_{th4}$	3.926E-04 F
$C_{th5}$	9.096E-05 F
$C_{th6}$	2.107E-05 F
$C_{th7}$	4.881E-06 F
$C_{th8}$	1.131E-06 F
$R_{th1}$	6.330E-01 $\Omega$
$R_{th2}$	2.380E-01 $\Omega$
$R_{th3}$	5.900E-02 $\Omega$
$R_{th4}$	1.500E-02 $\Omega$
$R_{th5}$	3.725E-03 $\Omega$
$R_{th6}$	9.321E-04 $\Omega$
$R_{th7}$	2.332E-04 $\Omega$
$R_{th8}$	5.836E-05 $\Omega$



001aal768

Part: BUK6211-75C  
 Version: 1  
 Date: 7-7-2010  
 Rth: 0.952062434